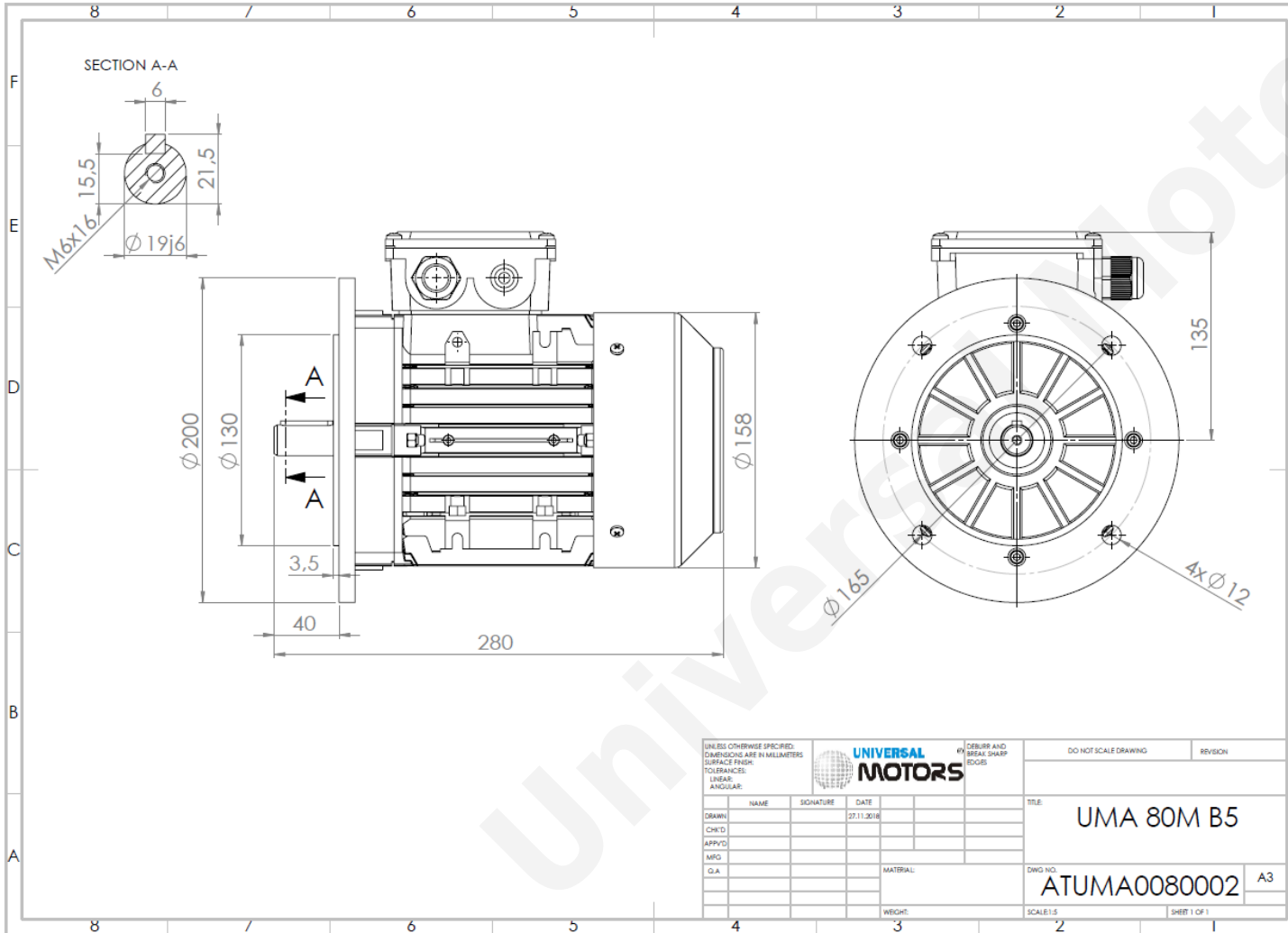




TECHNICAL DATA

Three Phase Electric Motors - Aluminum Frame
 UM3A 80M2-4 IE3
 0.75 kW / 1 Cv
 1440 RPM



Motor type:	UM3A 80M2-4 IE3
Output:	0.75 kW / 1 Cv
Speed (min ⁻¹):	1440 RPM
Frequency:	50 Hz
Voltage:	400 V
Current:	1.90 A
Power factor (Cos Ø):	0.69
Poles:	4
Insulation class:	F
Temperature rise Class:	B
Efficiency 50%:	80.1 %
Efficiency 75%:	82.5 %
Efficiency 100%:	82.5 %
Torque:	5.0 N.m
Tstarting/Tnominal:	3.1
Istarting/Inominal:	6.3
Tmaximum/Tnominal:	3.1
Noise:	58 Db(A)
Weight:	11.7 Kg
Brake AC:	AC3
Torque Brake DC:	8 N.m
Bearing DE:	6204 2Z
Bearing NDE:	6204 2Z
Torque Brake AC:	15 N.m
Brake DC:	REB-05-08

UNLESS OTHERWISE SPECIFIED: DIMENSIONS ARE IN MILLIMETERS SURFACE FINISH: TOLERANCES: LINEAR: ANGULAR:				UNIVERSAL MOTORS		DO NOT SCALE DRAWING		REVISION	
DRAWN	NAME	SIGNATURE	DATE	TITLE: UMA 80M B5		DWG NO.: ATUMA0080002		A3	
CHK'D						SCALE: 1:1		SHEET 1 OF 1	
APP'VD									
MFG									
Q.A.									
				MATERIAL:					
				WEIGHT:					

Regime - S1

Altitude - 1000m

Environment Temperature - 40°C

CONTACTS:

UNIVERSAL MOTORS Tel: +351 252 299 080
 Rua de São Brás,745 Fax: +351 252 299 089
 4480-782 VILA DO CONDE Mail: geral@universalmotors.pt

* References applied only in the UK